

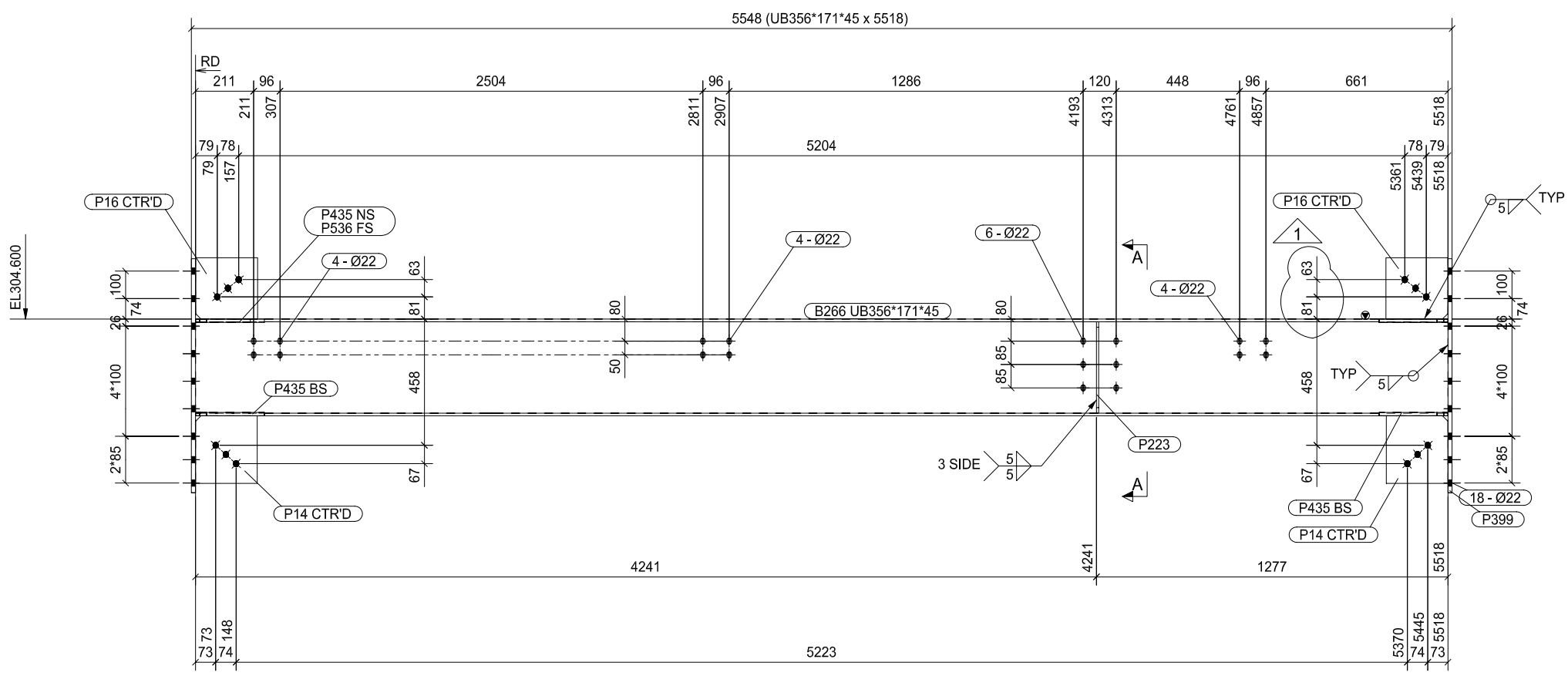
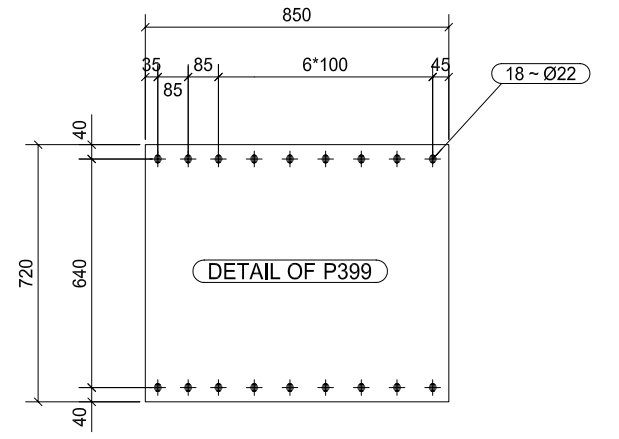
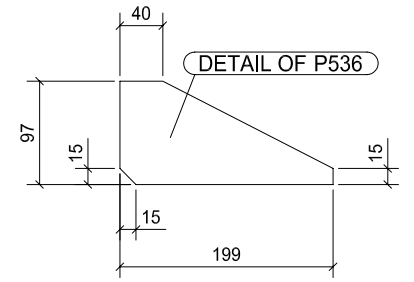
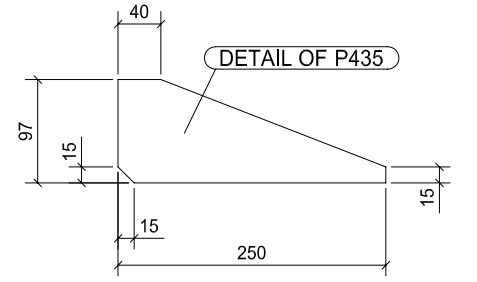
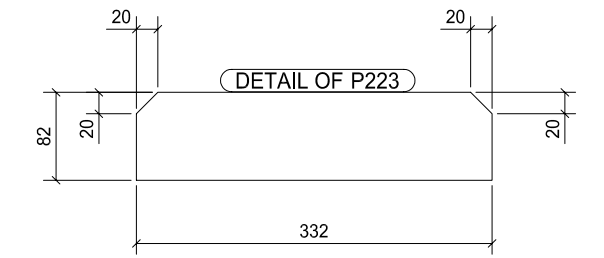
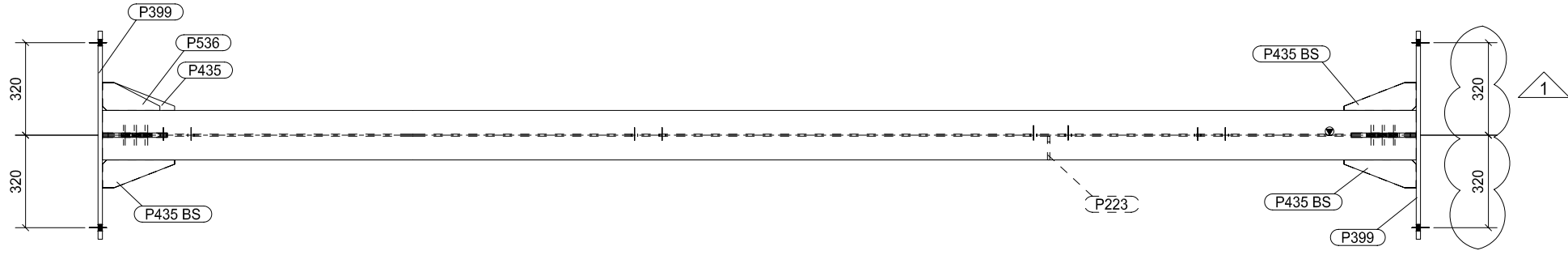
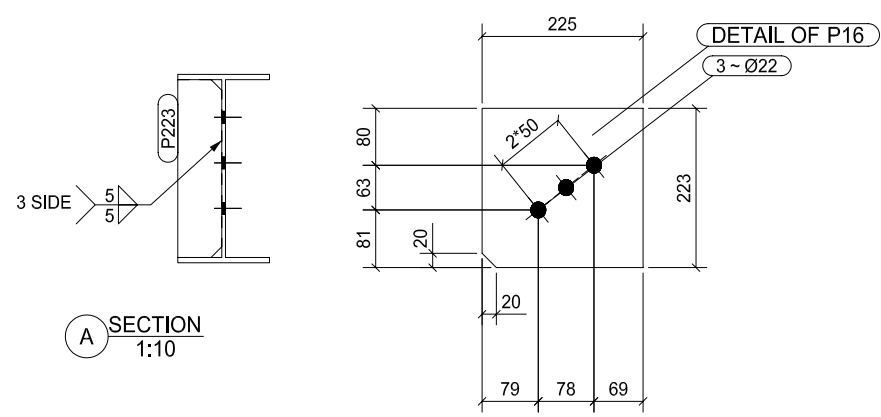
LOCATION LIST	
MARK NO.	GRID LOCATION
B266	2-1/B

GENERAL NOTES: ALL HOLES ARE Dia 22 mm UNLESS NOTED
ALL WELDS ARE 6 mm F.W UNLESS NOTED

MATERIAL LIST FOR ONE ASSEMBLY MK'D						
B266						
Mark	Size	Grade	No.	Length	Area	Weight
P536	PLT12*96.5	F410W B	1	199	0.0	1.81
P435	FLT12*250	F410W B	7	97	0.0	15.91
P399	PLT15*720	F410W B	2	850	1.3	144.13
P223	PLT8*82.1	F410W B	1	332	0.1	1.71
P16	PLT15*222.9	F410W B	2	225	0.1	11.84
P14	PLT15*224.1	F410W B	2	245	0.1	12.95
B266	UB356*171*45	F410W B	1	5518	7.5	248.33
Total				9.1	436.67	

BOLT LIST FOR ASSEMBLY MKD. B266 No. Required 1

DIAMETER	GRADE	TYPE	LENGTH	No.	MEMBER
20	8.8XOX	Site	60	18	C29



NOTES

1. ALL MARKS TO BE PREFIXED WITH MT-
2. ALL MATERIAL GRADES AS NOTED.
3. : DENOTES PART TOP & POSITION FOR HARD PUNCH.

1 No BEAM Marked B266

REV	DATE	DRN	CH'D.	ENG.	AP'D.	DESCRIPTION
1	31-03-11	SCAD	SCAD			REVISED AS MARKED
0	13-03-11	SCAD	SCAD			ISSUED FOR CONSTRUCTION
A	08-03-11	SCAD	SCAD			ISSUED FOR MATERIAL TAKE OFF

SCALE: 1:5

CLIENT

RTA Alesa Ltd.
MAX HOGGER-STRASSE 6, 8048 ZURICH, SWITZERLAND

CONTRACTOR:

Integrated Steel Construction Co. L.L.C.
شركة الفولاذ المتكاملات لتشييد المنشآت المعدنية (إسكون)
Integrated Steel Construction Co. L.L.C.
P.O.Box: 48069, Dubai, U.A.E., MOBILE: +971 50 6946993, TEL: +971 4 2895640

PROJECT NO.: 205'975'000

TITLE

**BATH PROCESSING PLANT
MAIN TOWER**

DRG. TITLE:

**MAIN TOWER (MT)
DET. OF BEAM B266**

DRAWING No.: **IS-MT- B266** REV:- **1**